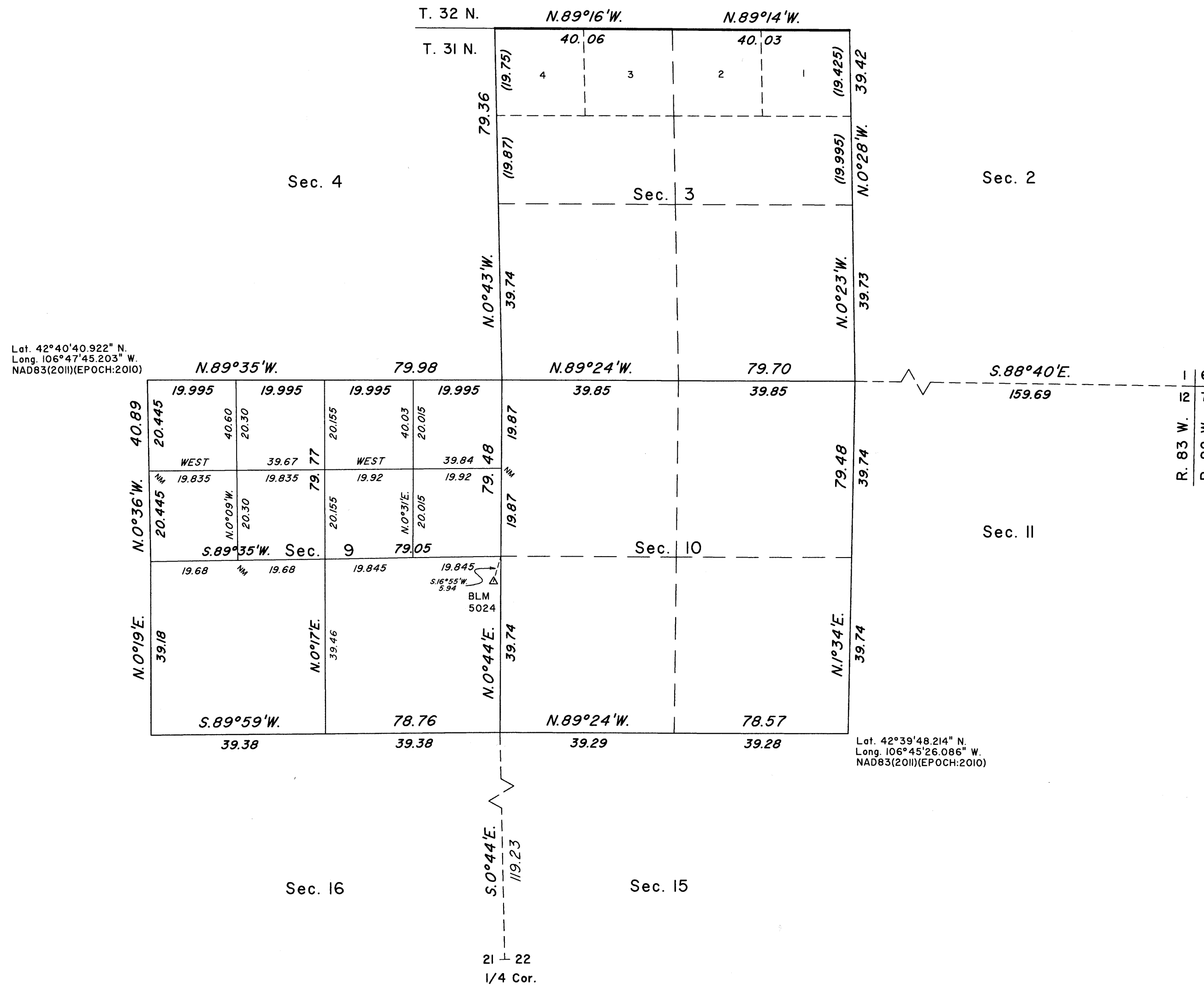


T. 31 N., R. 83 W., Sixth Principal Meridian, Wyoming, Field Note Links

Plat Accession Number(s)	Year(s) of Survey	
		Township Subdivision Plats
8796	2019-20	https://www.wy.blm.gov/cadastral/countyplats/natrona/fieldnotes/t31nr83w_gp1020fn.pdf
1686	1882	https://www.wy.blm.gov/cadastral/countyplats/natrona/fieldnotes/t31nr83w_c148fn.pdf
		Township Exterior Plats
1670	1882	https://www.wy.blm.gov/cadastral/countyplats/natrona/fieldnotes/ext1670.pdf
1670	1882	https://www.wy.blm.gov/cadastral/countyplats/natrona/fieldnotes/retext1194.pdf

TOWNSHIP 31 NORTH, RANGE 83 WEST, OF THE SIXTH PRINCIPAL MERIDIAN, WYOMING.

DEPENDENT RESURVEY AND SURVEY



A history of surveys is contained in the field notes.

This plat represents the dependent resurvey of a portion of the north boundary, a portion of the subdivisional lines, designed to restore the corners in their true original locations according to the best available evidence, and the survey of the subdivision of section 9, T. 31 N., R. 83 W., Sixth Principal Meridian, Wyoming.

The lottings and areas are as shown on the plat approved February 21, 1883.

Survey executed by Eric J. Bearden, Cadastral Surveyor, beginning September 17, 2019, and completed June 15, 2020, pursuant to special instructions and assignment instructions dated September 16, 2019, and supplemental special instructions dated June 1, 2020, for Group No. 1020, Wyoming.

Notes:
NM indicates corner not monumented.

UNITED STATES DEPARTMENT OF THE INTERIOR
BUREAU OF LAND MANAGEMENT

Cheyenne, Wyoming August 26, 2020

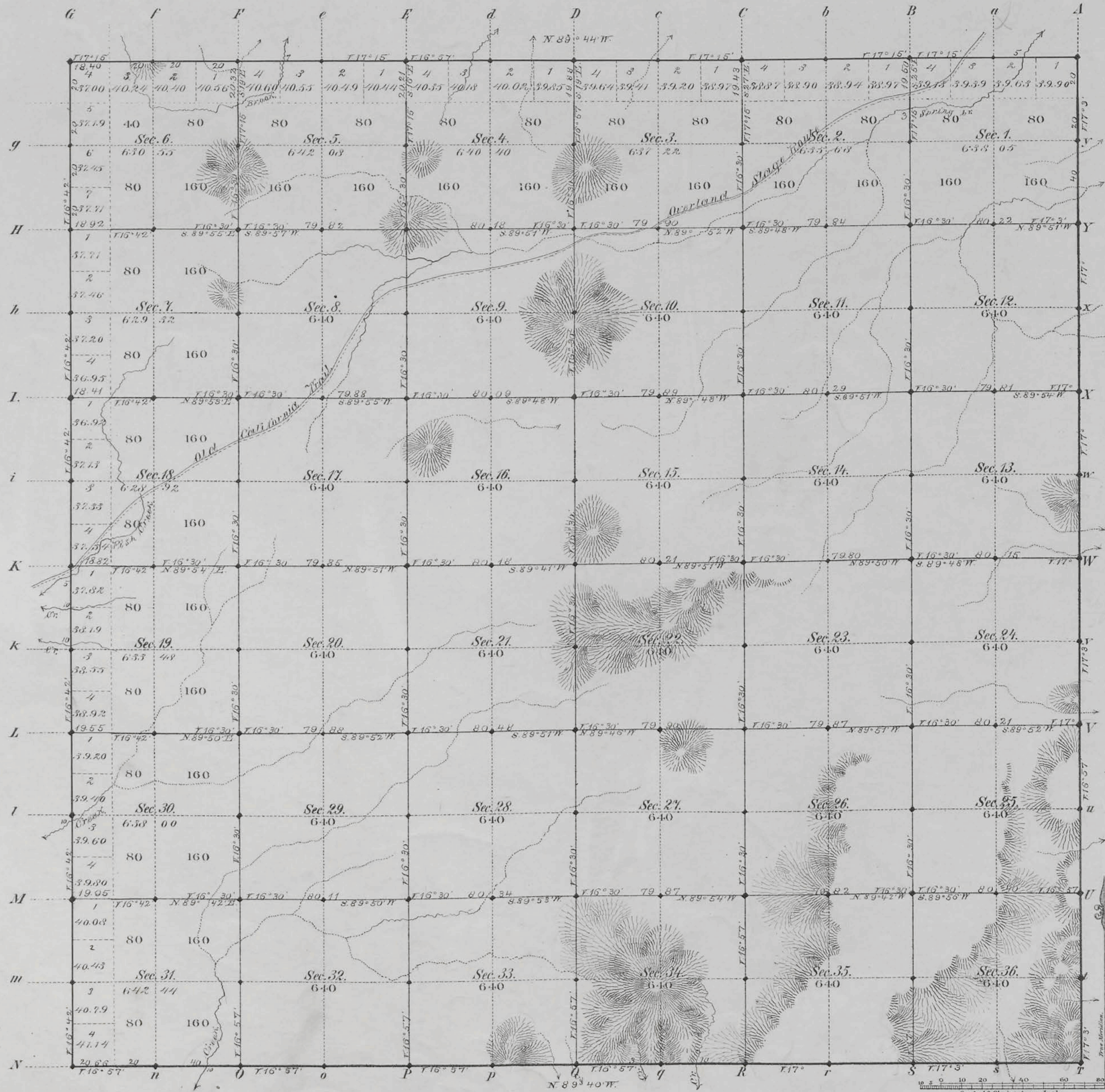
This plat is strictly conformable to the approved field notes, and the survey, having been correctly executed in accordance with the requirements of law and the regulations of this Bureau, is hereby accepted.

For the Director

Sonja S. Sparks
Chief Cadastral Surveyor for Wyoming

1686

TOWNSHIP N^o 31 NORTH, RANGE N^o 83 WEST of the 6th Principal MERIDIAN.



Total number of Acres. 22,996.14

Surveys Designated	By Whom Surveyed	Date of Contract	Amount of Survey M ^o Ch ^s Lt	When Surveyed	Magnetic Declination
Township lines	W. D. Smith	Feb'y 4, 1882	23 79 06	March 4, 6, 18-15, 1882	17° 5' E. as 7
Subdivisions	F. O. Scantz	" " "	59 75 98	April 14-20, 1882	16° 30' "
Connections					

The above Map of Township N^o 31 North, Range N^o 83 West of the Sixth Principal Meridian Wyoming Territory is strictly conformable to the field notes of the survey thereof on file in this Office, which have been examined and approved.

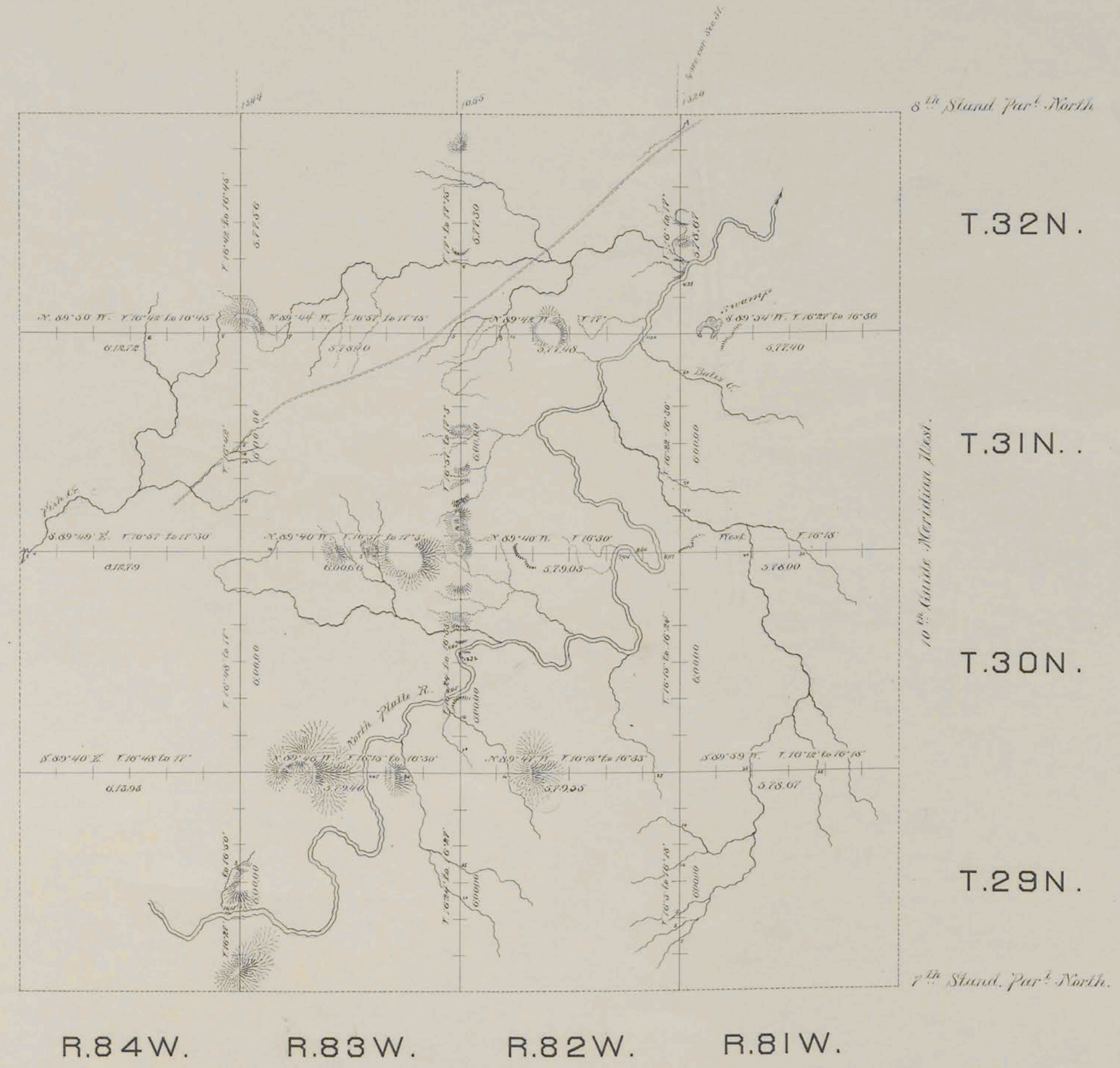
Surveyor General's Office, *Edw. C. David*
 Cheyenne Wyoming
 February 21st 1883

(17)
Indices

1670

EXTERIOR LINES.

Scale 5 miles to an inch. Magnetic Variation East.



Surveys Designated	By Whom Surveyed	Date of Contract	Amount of Surveys	When Surveyed
Exterior Lines	Wm O Owen	Feb 4 1882	mcs. 144 chs. 21 lcs. 50	Feb 24 - Mar 16 1882
Connections			37 19	

I hereby certify that the above diagram of Exterior Lines, T's. N° 29, 30, 31 & 32 N., Ranges N° 81, 82, 83 & 84 W., of the Sixth Principal Meridian, Wyoming Territory, is strictly conformable to the field notes of the survey thereof on file in this Office, which have been examined and approved.

Surveyor General's Office,
Cheyenne, Wyo. Feb'y 10th 1883.

Edw. C. David
Surveyor General.